



INSTALLATION INSTRUCTIONS
COMMERCIAL WASHER-EXTRACTOR

INSTRUCTIONS D'INSTALLATION
LAVEUSE À EXTRACTION COMMERCIALE

MYR20, MYR25, MYR30, MYR40, MYR55, MYR65

Table of Contents/ Table des matières.....2

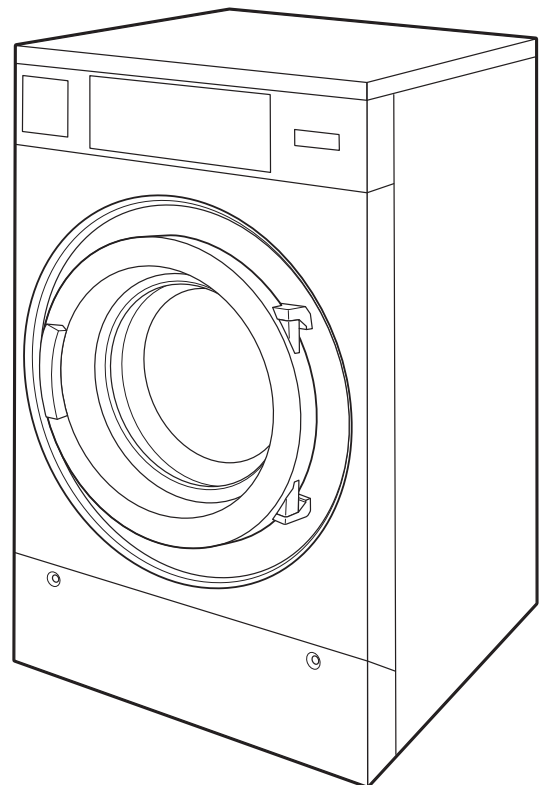
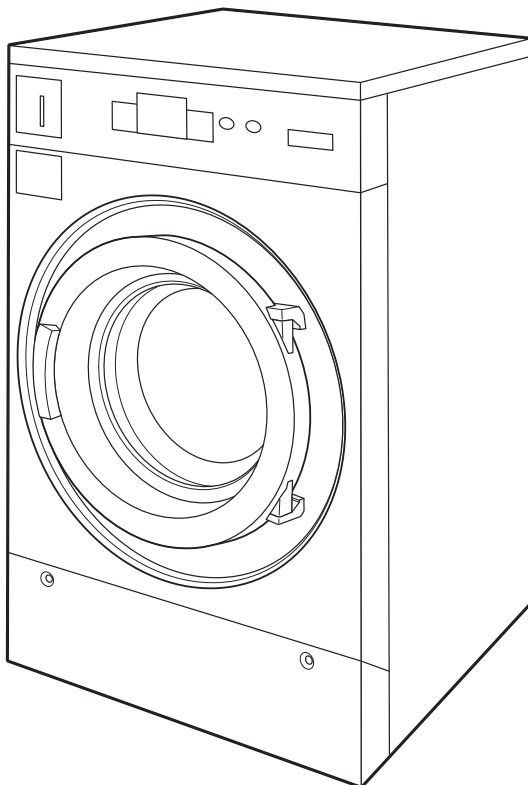


TABLE OF CONTENTS

WASHER SAFETY	2
SPECIFICATIONS	4
INSTALLATION REQUIREMENTS.....	8
LOCATION REQUIREMENTS.....	9
FLOOR REQUIREMENTS	16
INSTALLATION OF THE RIGID WASHER-EXTRACTOR WITHOUT PEDESTAL BASE	17
INSTALLATION INSTRUCTION.....	19
ELECTRICAL CONNECTION	21
WASHER MAINTENANCE	25

TABLE DES MATIÈRES

WASHER SAFETY

Your safety and the safety of others are very important.

We have provided many important safety messages in this manual and on your appliance. Always read and obey all safety messages.



This is the safety alert symbol.

This symbol alerts you to potential hazards that can kill or hurt you and others.

All safety messages will follow the safety alert symbol and either the word "DANGER" or "WARNING."

These words mean:

⚠ DANGER

You can be killed or seriously injured if you don't immediately follow instructions.

⚠ WARNING

You can be killed or seriously injured if you don't follow instructions.

All safety messages will tell you what the potential hazard is, tell you how to reduce the chance of injury, and tell you what can happen if the instructions are not followed.

IMPORTANT SAFETY INSTRUCTIONS

WARNING: To reduce the risk of fire, electric shock, or injury to persons when using the washer, follow basic precautions, including the following:

- Read all instructions before using the washer.
- Do not wash articles that have been previously cleaned in, washed in, soaked in, or spotted with gasoline, dry-cleaning solvents, or other flammable or explosive substances as they give off vapors that could ignite or explode.
- Do not add gasoline, dry-cleaning solvents, or other flammable or explosive substances to the wash water. These substances give off vapors that could ignite or explode.
- Under certain conditions, hydrogen gas may be produced in a hot water system that has not been used for 2 weeks or more. **HYDROGEN GAS IS EXPLOSIVE.** If the hot water system has not been used for such a period, before using the washer, turn on all hot water faucets and let the water flow from each for several minutes. This will release any accumulated hydrogen gas. As the gas is flammable, do not smoke or use an open flame during this time.
- Do not allow children to play on, in, or with the washer. Close supervision of children is necessary when the washer is used near children.
- Before the washer is removed from service or discarded, remove the door or lid.
- Do not reach into the washer if the drum, tub, or agitator is moving.
- Do not install or store the washer where it will be exposed to the weather.
- Do not tamper with controls.
- Do not repair or replace any part of the washer or attempt any maintenance unless specifically recommended in this manual that you understand and have the skills to carry out.
- See “Electrical Requirements” for grounding instructions.
- This appliance must have power locked out using proper lockout and tag out procedure during service and when replacing parts. Refer to the OSHA standard for “The Control of Hazardous Energy (Lockout/Tag out)”, Title 29 Code of Federal Regulations (CFR) Part 1910.147.

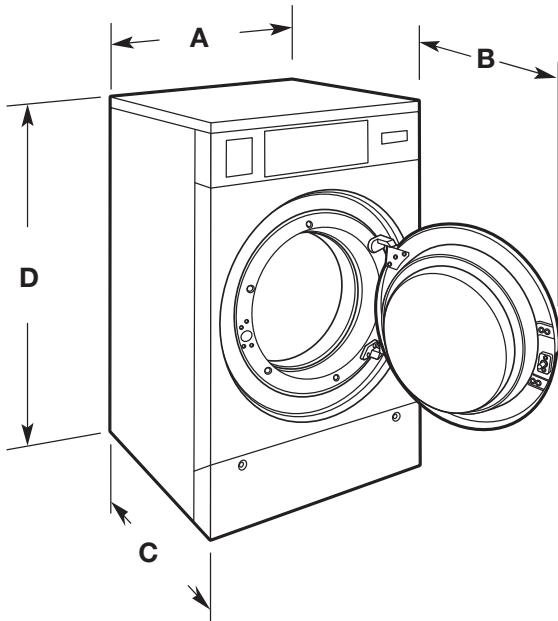
SAVE THESE INSTRUCTIONS

DIMENSIONS AND TECHNICAL SPECIFICATIONS

Model	Cylinder Volume Liters (cu. ft.)	Cylinder diameter mm (in.)	Cylinder depth mm (in.)	Dry load capacity kg (lb)	Max. spin RPM	Max. extract force (G-force)
MYR20	78 (2.74)	530 (20.9)	352 (13.9)	9 (20)	838	200
MYR25	108 (3.76)	620 (24.4)	352 (13.9)	11 (25)	790	200
MYR30	138 (4.86)	620 (24.4)	454 (17.9)	14 (30)	790	200
MYR40	183 (6.45)	750 (29.5)	411 (16.2)	18 (40)	693	200
MYR55	242 (8.56)	750 (29.5)	548 (21.6)	25 (55)	693	200
MYR65	276 (9.76)	750 (29.5)	621 (24.4)	30 (65)	693	200

Dimensions

Washer Dimensions



	A	B	C	D
Model	Width mm (in.)	Door Opening mm (in.)	Depth mm (in.)	Height mm (in.)
MYR20	660 (26)	328 (12.9)	686 (27)	1112 (43.8)
MYR25	750 (29.5)	410 (16.1)	725 (28.5)	1222 (48.1)
MYR30	750 (29.5)	410 (16.1)	840 (33.1)	1222 (48.1)
MYR40	890 (35.0)	459 (18.1)	876 (34.5)	1410 (55.5)
MYR55	890 (35.0)	459 (18.1)	1011 (39.8)	1410 (55.5)
MYR65	890 (35.0)	459 (18.1)	1085 (42.7)	1410 (55.5)

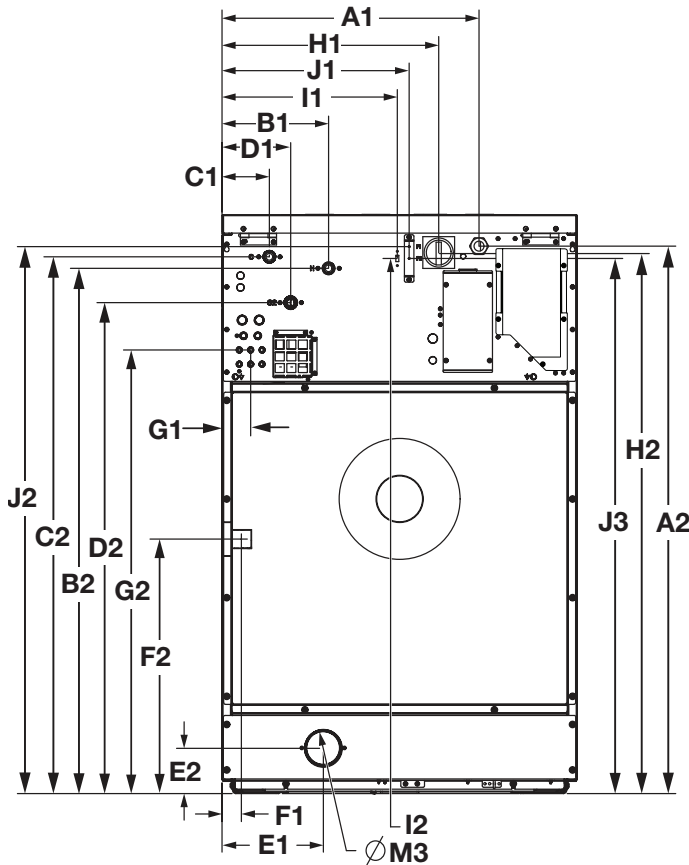
Additional Clearances:

- Additional spacing of 25 mm (1") on both sides of the washer is recommended to reduce noise transfer.
- Additional spacing of 500 mm (20") between the rear of the washer and the wall is recommended for ease of servicing.

DIMENSIONS AND TECHNICAL SPECIFICATIONS

Dimensions

Washer Rear Dimensions



A. Electrical Connection	F. Steam Connection (Option)
B. Hot Water	G. Liquid Soap Connection
C. Cold Water	H. Disconnect
D. 2 nd Cold Water (Option)	I. USB Port
E. Drain	J. Fuses

	MYR20	MYR25	MYR30	MYR40	MYR55	MYR65
A1 mm (in.)	451 (17.7)	543 (21.4)	543 (21.4)	578 (22.7)	578 (22.7)	578 (22.7)
A2 mm (in.)	1045 (41.1)	1156 (45.5)	1156 (45.5)	1343 (52.8)	1343 (52.8)	1343 (52.8)
B1 mm (in.)	225 (8.8)	225 (8.8)	225 (8.8)	289 (11.4)	289 (11.4)	289 (11.4)
B2 mm (in.)	1000 (39.4)	1108 (43.6)	1108 (43.6)	1224 (48.2)	1224 (48.2)	1224 (48.2)
C1 mm (in.)	101 (4.0)	101 (4.0)	101 (4.0)	175 (6.8)	175 (6.8)	175 (6.8)

	MYR20	MYR25	MYR30	MYR40	MYR55	MYR65
C2 mm (in.)	1023 (40.3)	1133 (44.6)	1133 (44.6)	1321 (52)	1321 (52)	1321 (52)
D1 mm (in.)	146 (5.7)	146 (5.7)	146 (5.7)	175 (6.8)	175 (6.8)	175 (6.8)
D2 mm (in.)	927 (36.5)	1035 (40.8)	1035 (40.8)	1224 (48.2)	1224 (48.2)	1224 (48.2)
E1 mm (in.)	168 (6.6)	213 (8.4)	213 (8.4)	283 (11.1)	283 (11.1)	283 (11.1)
E2 mm (in.)	95 (3.7)	95 (3.7)	95 (3.7)	133 (5.2)	133 (5.2)	133 (5.2)
F1 mm (in.)				45 (1.8)	45 (1.8)	45 (1.8)
F2 mm (in.)				534 (21)	534 (21)	534 (21)
G1 mm (in.)	60 (2.3)	70 (2.7)	70 (2.7)	70 (2.7)	70 (2.7)	70 (2.7)
G2 mm (in.)	826 (32.5)	937 (36.9)	937 (36.9)	1095 (43.1)	1095 (43.1)	1095 (43.1)
H1 mm (in.)	368 (14.5)	458 (18)	458 (18)	492 (19.4)	492 (19.4)	492 (19.4)
H2 mm (in.)	1032 (42.6)	1140 (44.9)	1140 (44.9)	1330 (52.3)	1330 (52.3)	1330 (52.3)
I1 mm (in.)	280 (11)	371 (14.6)	371 (14.6)	406 (16.0)	406 (16.0)	406 (16.0)
I2 mm (in.)	1019 (40.1)	1130 (44.5)	1130 (44.5)	1317 (51.8)	1317 (51.8)	1317 (51.8)
J1 mm (in.)	305 (12)	394 (15.5)	394 (15.5)	429 (16.8)	429 (16.8)	429 (16.8)
J2 mm (in.)	1054 (41.5)	1155 (45.5)	1155 (45.5)	1343 (52.9)	1343 (52.9)	1343 (52.9)
J3 mm (in.)	1019 (40.1)	1130 (44.5)	1130 (44.5)	1318 (51.8)	1318 (51.8)	1318 (51.8)

DIMENSIONS AND TECHNICAL SPECIFICATIONS

Dimensions

Crated Dimensions			
Model	Crated Width mm (in.)	Crated Depth mm (in.)	Crated Height mm (in.)
MYR20	705 (27.8)	841 (33.1)	1270 (50.0)
MYR25	800 (31.5)	880 (34.6)	1381 (54.4)
MYR30	800 (31.5)	991 (39.0)	1381 (54.4)
MYR40	940 (37.0)	1029 (40.5)	1560 (61.43)
MYR55	940 (37.0)	1169 (46.0)	1560 (61.4)
MYR65	940 (37.0)	1242 (48.9)	1560 (61.4)

Approximate Weight		
Model	Uncrated-kg (lb)	Crated-kg (lb)
MYR20	151 (334)	166 (365)
MYR25	203 (447)	218 (480)
MYR30	222 (489)	237 (523)
MYR40	312 (688)	328 (724)
MYR55	332 (731)	349 (769)
MYR65	347 (764)	364 (802)

Water Heating (Factory Option Only)

Model	Electrical heating, optional alternate heating element size-kW
MYR20	8 or 12
MYR25	8 or 12
MYR30	8 or 12
MYR40	16
MYR55	18
MYR65	18

DIMENSIONS AND TECHNICAL SPECIFICATIONS

Water, Drain, External Supply Connections

Model	Number of water inlets	Optional third water inlet	Inlet sizes mm (in.)	Operating Pressure Bar (Psi)	Number of dispenser compartments	External chemical connections, number	Drain valve drain, Size mm (in.)	Optional Second Drain Valve
MYR20	2	Yes	13 (1/2")	1-8 (20-120)	4	8	76 (3)	NO
MYR25	2	Yes	13 (1/2")	1-8 (20-120)	4	8	76 (3)	NO
MYR30	2	Yes	13 (1/2")	1-8 (20-120)	4	8	76 (3)	NO
MYR40	2	Yes	13 (1/2")	1-8 (20-120)	4	8	76 (3)	NO
MYR55	2	Yes	13 (1/2")	1-8 (20-120)	4	8	76 (3)	YES
MYR65	2	Yes	13 (1/2")	1-8 (20-120)	4	8	76 (3)	YES

Energy/Water Usage

Model	Average Cycle Water Use			
	lbs	Hot Water	Total Water	Total/Hot Ratio
MYR20	20	4	11.7	2.925
MYR25	25	6	17.6	2.925
MYR30	30	8	23.4	2.925
MYR40	40	11	32.2	2.925
MYR55	55	14	41.0	2.925
MYR65	65	17	49.7	2.925
		Gallons		

INSTALLATION REQUIREMENTS

Tools and Parts

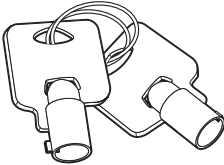
Parts supplied:



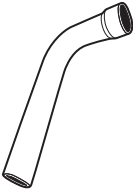
Water inlet hoses (2)



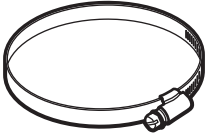
Inlet hose washers (4)



Service Keys



Drain Hose



Hose clamp


LOCATION REQUIREMENTS

Forces transmitted by the washing machine

	MYR20	MYR25	MYR30	MYR40	MYR55	MYR65
Static floor load (Kn - lb)	1.49 (334)	1.99 (447)	2.18 (489)	3.07 (688)	3.26 (731)	3.40 (764)
Dynamic floor load (Kn - lb)	2.42 (543)	4.01 (900)	5.12 (1150)	5.60 (1260)	7.52 (1690)	8.82 (1981)
Maximum vertical load (Kn - lb)	3.91 (877)	6.00 (1347)	7.30 (1639)	8.67 (1948)	10.80 (2421)	12.22 (2745)
Dynamic load frequency (Hz)	13.97	13.20	13.17	11.59	11.55	11.59
G factor	200	200	200	200	200	200
Anchorage points	4	4	4	8	8	8
Min Concrete Thk. (mm - in)	100 (4)	100 (4)	150 (6)	150 (6)	200 (8)	200 (8)

ELECTRICAL REQUIREMENTS

⚠ WARNING



Electrical Shock Hazard
Disconnect power before servicing.
Replace all parts and panels before operating.
Failure to do so can result in death or electrical shock.

IMPORTANT:

- The Circuit must be a dedicated circuit and may not be combined with any lighting circuit.
- Adequate grounding is essential to washer operation.
- Do not fuse the neutral or grounding circuit.
- Certain internal parts are intentionally not grounded and may present a risk of electrical shock only during service. Do not contact the inlet valve coil straps while the appliance is energized.
- This appliance must be connected to a grounded metal, permanent wiring system, or an equipment-grounding conductor must be run with the circuit conductors and connected to the equipment-grounding terminal or lead on the appliance.

MYR20 (Rigid Mount Washing Machine)

Capacity lbs	RPM	Voltage (V)	Motor & Control Current During Max Draw	Heat			1P /3P	Total Amps (A)	North American Models		Models Outside of North America			
				Electric kw / Amps		Hot Water or Steam			Circuit Breaker (D-Curve)	Conductor Size	Circuit Breaker (D-Curve)	Fuse (Slow Blow)	Conductor Size	
				Electric (kW)	Amps (A)									
20	838	100	11.52			x	1P	11.52	15	14	16	10	14	
		110	10.47			x	1P	10.47	15	14	16	10	14	
		115	10.02			x	1P	10.02	15	14	16	10	14	
		120	09.60			x	1P	9.6	15	14	16	10	14	
		127	09.07			x	1P	9.07	15	14	16	10	14	
		200	04.99			x	1P	4.99	15	14	16	10	14	
		208	04.80			x	1P	4.8	15	14	16	10	14	
		220	04.54			x	1P	4.54	15	14	16	10	14	
		230	04.34			x	1P	4.34	15	14	16	10	14	
		240	04.16			x	1P	4.16	15	14	16	10	14	
		208	01.07	6.0	16.68			3P	17.75			25	20	12
		220	01.01	6.7	17.64			3P	18.65			25	20	12
		230	00.96	7.3	18.44			3P	19.4			25	20	12
		240	00.92	8.0	19.25			3P	20.17			25	20	12
		380	00.58	6.7	10.19			3P	10.77			16	10	14
		400	00.55	7.4	10.73			3P	11.28			16	10	14
		415	00.53	8.0	11.13			3P	11.66			16	10	14
		440	00.50	6.7	8.82			3P	9.32			16	10	14

This appliance is intended to be connected to a supply circuit protected by an over current-protective drive (fuse breaker) sized according to the "Circuit Breaker (D-Curve)" column appropriate to your location.

ELECTRICAL REQUIREMENTS

Capacity lbs	RPM	Voltage (V)	Motor & Control Current During Max Draw	Heat			1P /3P	Total Amps (A)	North American Models		Models Outside of North America			
				Electric kw / Amps		Hot Water or Steam			Circuit Breaker (D-Curve)	Conductor Size	Circuit Breaker (D-Curve)	Fuse (Slow Blow)	Conductor Size	
				Electric (kW)	Amps (A)									
20	838	480	00.46	8.0	9.62		3P	10.08			16	10	14	
		208	01.07	9.0	25.02		3P	26.09			32	25	10	
		220	01.01	10.1	26.46		3P	27.47			40	32	8	
		230	00.96	11.0	27.67		3P	28.63			40	32	8	
		240	00.92	12.0	28.87		3P	29.79			40	32	8	
		380	00.58	10.1	15.29		3P	15.87			20	16	12	
		400	00.55	11.1	16.09		3P	16.64			20	16	12	
		415	00.53	12.0	16.69		3P	17.22			25	20	12	
		440	00.50	10.1	13.23		3P	13.73			20	16	12	
		480	00.46	12.0	14.43		3P	14.89			20	16	12	
MYR25 (Rigid Mount Washing Machine)														
25	790	100	17.16			X	1P	17.16	25	12	25	20	12	
		110	15.6			X	1P	15.6	20	12	20	16	12	
		115	14.92			X	1P	14.92	20	12	20	16	12	
		120	14.3			X	1P	14.3	20	12	20	16	12	
		127	13.51			X	1P	13.51	20	12	20	16	12	
		200	7.8			X	1P	7.8	15	14	16	10	14	
		208	7.5			X	1P	7.5	15	14	16	10	14	
		220	7.09			X	1P	7.09	15	14	16	10	14	
		230	6.78			X	1P	6.78	15	14	16	10	14	
		240	6.5			X	1P	6.5	15	14	16	10	14	
		208	1.67	6	16.68			3P	18.35			25	20	12
		220	1.57	6.7	17.64			3P	19.21			25	20	12
		230	1.51	7.3	18.44			3P	19.95			25	20	12
		240	1.44	8	19.25			3P	20.69			25	20	12
		380	0.91	6.7	10.19			3P	11.1			16	10	14
		400	0.87	7.4	10.73			3P	11.6			16	10	14
		415	0.83	8	11.13			3P	11.96			16	10	14
		440	0.79	6.7	8.82			3P	9.61			16	10	14
		480	0.72	8	9.62			3P	10.34			16	10	14
		208	1.67	9	25.02			3P	26.69			40	32	8
		220	1.57	10.1	26.46			3P	28.03			40	32	8
		230	1.51	11	27.67			3P	29.18			40	32	8
		240	1.44	12	28.87			3P	30.31			40	32	8
		380	0.91	10.1	15.29			3P	16.2			20	16	12
400	0.87	11.1	16.09			3P	16.96			25	20	12		
415	0.83	12	16.69			3P	17.52			25	20	12		
440	0.79	10.1	13.23			3P	14.02			20	16	12		
480	0.72	12	14.43			3P	15.15			20	16	12		

This appliance is intended to be connected to a supply circuit protected by an over current-protective device (fuse breaker) sized according to the "Circuit Breaker (D-Curve)" column appropriate to your location.

ELECTRICAL REQUIREMENTS

MYR30 (Rigid Mount Washing Machine)

Capacity lbs	RPM	Voltage (V)	Motor & Control Current During Max Draw	Heat			1P /3P	Total Amps (A)	North American Models		Models Outside of North America				
				Electric kw / Amps		Hot Water or Steam			Circuit Breaker (D-Curve)	Conductor Size	Circuit Breaker (D-Curve)	Fuse (Slow Blow)	Conductor Size		
				Electric (kW)	Amps (A)										
30	790	100	19.44			X	1P	19.44	25	12	25	20	12		
		110	17.67			X	1P	17.67	25	12	25	20	12		
		115	16.9			X	1P	16.9	25	12	25	20	12		
		120	16.2			X	1P	16.2	20	12	20	16	12		
		127	15.31			X	1P	15.31	20	12	20	16	12		
		200	9.72			X	1P	9.72	15	14	16	10	14		
		208	8.1			X	1P	8.1	15	14	16	10	14		
		220	7.66			X	1P	7.66	15	14	16	10	14		
		230	7.33			X	1P	7.33	15	14	16	10	14		
		240	7.02			X	1P	7.02	15	14	16	10	14		
		208	1.8	6	16.68				3P	18.48			25	20	12
		220	1.7	6.7	17.64				3P	19.34			25	20	12
		230	1.63	7.3	18.44				3P	20.07			25	20	12
		240	1.56	8	19.25				3P	20.81			25	20	12
		380	0.98	6.7	10.19				3P	11.17			16	10	14
		400	0.94	7.4	10.73				3P	11.67			16	10	14
		415	0.9	8	11.13				3P	12.03			16	10	14
		440	0.85	6.7	8.82				3P	9.67			16	10	14
		480	0.78	8	9.62				3P	10.4			16	10	14
		208	1.8	9	25.02				3P	26.82			40	32	8
		220	1.7	10.1	26.46				3P	28.16			40	32	8
		230	1.63	11	27.67				3P	29.3			40	32	8
		240	1.56	12	28.87				3P	30.43			40	32	8
		380	0.98	10.1	15.29				3P	16.27			20	16	12
		400	0.94	11.1	16.09				3P	17.03			25	20	12
		415	0.9	12	16.69				3P	17.59			25	20	12
		440	0.85	10.1	13.23				3P	14.08			20	16	12
		480	0.78	12	14.43				3P	15.21			20	16	12

This appliance is intended to be connected to a supply circuit protected by an over current-protective device (fuse breaker) sized according to the "Circuit Breaker (D-Curve)" column appropriate to your location.

ELECTRICAL REQUIREMENTS

MYR40 (Rigid Mount Washing Machine)

Capacity lbs	RPM	Voltage (V)	Motor & Control Current During Max Draw	Heat			1P /3P	Total Amps (A)	North American Models		Models Outside of North America				
				Electric kw / Amps		Hot Water or Steam			Circuit Breaker (D-Curve)	Conductor Size	Circuit Breaker (D-Curve)	Fuse (Slow Blow)	Conductor Size		
				Electric (kW)	Amps (A)										
40	693	100	26			X	1P	26	35	8	32	25	10		
		110	23.64			X	1P	23.64	30	10	32	25	10		
		115	22.61			X	1P	22.61	30	10	32	25	10		
		120	21.67			X	1P	21.67	30	10	32	25	10		
		127	20.47			X	1P	20.47	25	12	25	20	12		
		200	13			X	1P	13	20	12	16	10	14		
		208	12.5			X	1P	12.5	15	14	16	10	14		
		220	11.82			X	1P	11.82	15	14	16	10	14		
		230	11.3			X	1P	11.3	15	14	16	10	14		
		240	10.83			X	1P	10.83	15	14	16	10	14		
		208	2.78	12	33.36				3P	36.14			63	50	6
		220	2.62	13.4	35.28				3P	37.9			63	50	6
		230	2.51	14.7	36.89				3P	39.4			63	50	6
		240	2.41	16	38.49				3P	40.9			63	50	6
		380	1.52	13.4	20.38				3P	21.9			32	25	10
		400	1.44	14.9	21.46				3P	22.9			32	25	10
		415	1.39	16	22.26				3P	23.65			32	25	10
		440	1.31	13.4	17.64				3P	18.95			25	20	12
480	1.2	16	19.25				3P	20.45			25	20	12		

This appliance is intended to be connected to a supply circuit protected by an over current-protective device (fuse breaker) sized according to the "Circuit Breaker (D-Curve)" column appropriate to your location.

ELECTRICAL REQUIREMENTS

MYR55 (Rigid Mount Washing Machine)

Capacity lbs	RPM	Voltage (V)	Motor & Control Current During Max Draw	Heat			1P /3P	Total Amps (A)	North American Models		Models Outside of North America			
				Electric kw / Amps		Hot Water or Steam			Circuit Breaker (D-Curve)	Conductor Size	Circuit Breaker (D-Curve)	Fuse (Slow Blow)	Conductor Size	
				Electric (kW)	Amps (A)									
55	693	100	27.04			X	1P	27.04	35	8	40	32	8	
		110	24.58			X	1P	24.58	30	10	32	25	10	
		115	23.51			X	1P	23.51	30	10	32	25	10	
		120	22.53			X	1P	22.53	30	10	32	25	10	
		127	21.29			X	1P	21.29	30	10	32	25	10	
		200	13.52			X	1P	13.52	20	12	20	16	12	
		208	13			X	1P	13	20	12	16	10	14	
		220	12.29			X	1P	12.29	15	14	16	10	14	
		230	11.76			X	1P	11.76	15	14	16	10	14	
		240	11.27			X	1P	11.27	15	14	16	10	14	
		208	2.89	13.5	37.53			3P	40.42			63	50	6
		220	2.73	15.1	39.69			3P	42.42			63	50	6
		230	2.61	16.5	41.5			3P	44.11			63	50	6
		240	2.5	18	43.3			3P	45.8			63	50	6
		380	1.58	15.1	22.93			3P	24.51			32	25	10
		400	1.5	16.7	24.14			3P	25.64			32	25	10
		415	1.45	18	25.04			3P	26.49			32	25	10
		440	1.36	15.1	19.85			3P	21.21			32	25	10
480	1.25	18	21.65			3P	22.9			32	25	10		

This appliance is intended to be connected to a supply circuit protected by an over current-protective device (fuse breaker) sized according to the "Circuit Breaker (D-Curve)" column appropriate to your location.

ELECTRICAL REQUIREMENTS

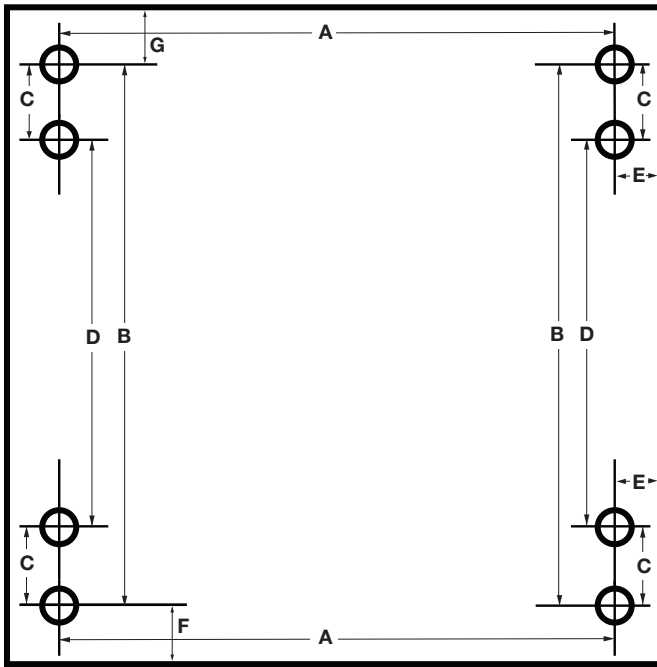
MYR65 (Rigid Mount Washing Machine)

Capacity lbs	RPM	Voltage (V)	Motor & Control Current During Max Draw	Heat			1P /3P	Total Amps (A)	North American Models		Models Outside of North America			
				Electric kw / Amps		Hot Water or Steam			Circuit Breaker (D-Curve)	Conductor Size	Circuit Breaker (D-Curve)	Fuse (Slow Blow)	Conductor Size	
				Electric (kW)	Amps (A)									
65	693	100	27.46			X	1P	27.46	35	8	40	32	8	
		110	24.96			X	1P	24.96	30	10	32	25	10	
		115	23.87			X	1P	23.87	30	10	32	25	10	
		120	22.88			X	1P	22.88	30	10	32	25	10	
		127	21.62			X	1P	21.62	30	10	32	25	10	
		200	13.73			X	1P	13.73	20	12	20	16	12	
		208	13.2			X	1P	13.2	20	12	16	10	14	
		220	12.48			X	1P	12.48	15	14	16	10	14	
		230	11.94			X	1P	11.94	15	14	16	10	14	
		240	11.44			X	1P	11.44	15	14	16	10	14	
		208	2.93	13.5	37.53			3P	40.46			63	50	6
		220	2.77	15.1	39.69			3P	42.46			63	50	6
		230	2.65	16.5	41.5			3P	44.15			63	50	6
		240	2.54	18	43.3			3P	45.84			63	50	6
		380	1.6	15.1	22.93			3P	24.53			32	25	10
		400	1.52	16.7	24.14			3P	25.66			32	25	10
		415	1.47	18	25.04			3P	26.51			32	25	10
		440	1.39	15.1	19.85			3P	21.24			32	25	10
480	1.27	18	21.65			3P	22.92			32	25	10		

This appliance is intended to be connected to a supply circuit protected by an over current-protective device (fuse breaker) sized according to the "Circuit Breaker (D-Curve)" column appropriate to your location.

FLOOR REQUIREMENTS

Mounting Holes Placement



Front

Model	Distance						
	A (mm/in.)	B (mm/in.)	C (mm/in.)	D (mm/in.)	E (mm/in.)	F (mm/in.)	G (mm/in.)
MYR20	519/20.4	474/18.7	N/A	N/A	65/2.6	65/2.6	75/2.9
MYR25	615.4/24.2	474/18.7	N/A	N/A	65/2.6	65/2.6	187/7.3
MYR30	615.4/24.2	574/22.6	N/A	N/A	65/2.6	65/2.6	202/7.9
MYR40	751/29.6	580.2/22.8	82/3.2	416.2/16.4	51/2	52/2	253/9.9
MYR55	751/29.6	716/28.2	82/3.2	552/21.7	51/2	52/2	253/9.9
MYR65	751/29.6	789.5/31.1	82/3.2	625.5/24.6	51/2	52/2	253/9.9

There are separate instructions if using a pedestal (those instructions are in the pedestal installation manual).

INSTALLATION OF THE RIGID WASHER-EXTRACTOR WITHOUT PEDESTAL BASE

⚠ WARNING

Excessive Weight Hazard

Use two or more people and mechanical equipment to lift, move and install washer.

Failure to do so can result in back or other injury.

⚠ WARNING



Crush Hazard

Washer can tip over if not properly installed on platform or pedestal.

Washer must be bolted to the floor per installation instructions.

Failure to follow these instructions can result in death or serious injury.

Anchoring

A static engineer must be consulted to evaluate the static requirements with respect to permissible loads, vibrations, and noise level in the building where the washer is installed.

Always consult a static engineer about static requirements to meet the requirements of permissible loads, vibrations and noise level in the building. The manufacturer does not recommend installing the washer in a room with a cellar underneath or on a floor with rooms underneath. The washer must be leveled from side to side, as well as from front to rear. If the washer is not properly leveled, it may become out of balance even though the drum remains balanced.

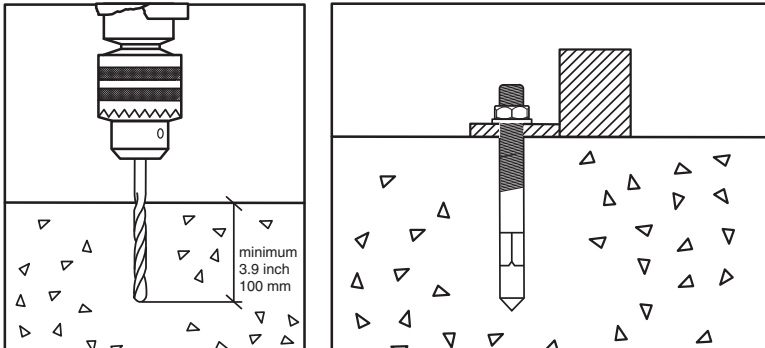
Rigid washers must be anchored to the floor. Correct construction of the anchorage to the floor is essential to ensure correct operation of the appliance and to prevent serious damage to its structure.

Rigid washers must not be installed on non-foundation floors without authorization from a technician familiar with the structure and weight-bearing capacity of the building.

Check the weight of the washer and its contents, plus the dynamic forces generated during spinning. The manufacturer does not accept responsibility for any damage due to vibration in this type of installation.

INSTALLATION OF THE RIGID WASHER-EXTRACTOR WITHOUT PEDESTAL BASE

Using Expansion Bolts



Before anchoring the machine to the floor, make sure that its minimum resistance is equal or higher than 3500 psi (25N/mm²).

First mark the locations of the mounting holes using the dimensions specified in the "Rigid Washing Machines" chart.

Next drill the mounting holes. Follow the manufacturing installation instructions, but the holes must be at least 4 inches (100 mm) deep. The holes must not go all the way through the floor. Clean the holes with compressed air.

For the smoothest operation Whirlpool recommends that the washer be set with a precision, high strength, non-metallic, non-shrink grout designed for precision grouting. Grout should have a minimum compressive strength of 10,000 PSI (69 MPa), when mixed to a plastic consistency and fully cured.

- If the washer is to be grouted in, it should be level and spaced between 3/8" (9 mm) and 1/2" (13 mm) off the floor to make room for the grout.
- Remove the washer leaving the spacers behind.
- Mix the grout to a plastic consistency per the manufacturer's instructions.
- Trowel the grout in to a depth slightly greater than the height of the spacers.
- Reinstall the washer over the mounting fasteners. Use the fasteners to pull the washer down securely on the spacers. Do not fully torque the fasteners.
- Clean away any excess grout outside the washer as per the manufacturer's instructions.
- Allow the grout to set for the minimum time recommended by the grout manufacturer for light use.
- Tighten the bolts until the machine is securely fastened.

If not using grout, place the washer-extractor in position over the holes, then insert the expansion bolts in the holes. Be sure to use 5/8-11 (M16) expansion bolts, and that they protrude above the surface by 2 inches (50 mm). Once in place, tighten the bolts. Place

the washer-extractor in position above the bolts, and gradually tighten the nuts one after another to 195 Nm (144 ft lb).

Using J-bolts

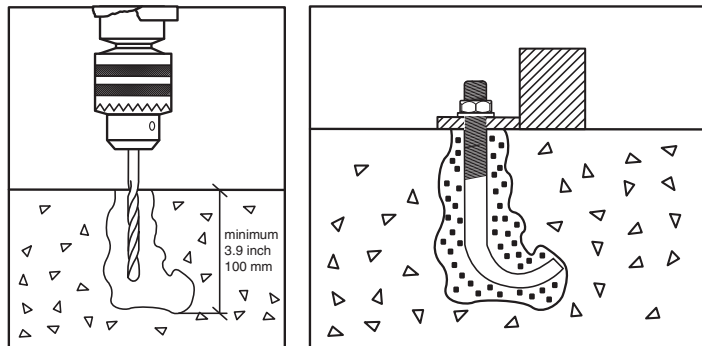
Before anchoring the machine to the floor, make sure that its minimum resistance is equal or higher than 3500 psi (25N/mm²).

First mark the locations of the mounting holes using the dimensions specified in the "Rigid Washing Machines" chart. Next make holes to a depth, at minimum, equal to 4 inch (100 mm). Make the holes big enough to insert the J-bolt and clean using compressed air.

Insert the J-bolts in the holes and secure using a suitable anchoring compound, ensuring that the bolt protrudes above the surface by 2 inches (50 mm). Be sure to use 5/8-11 (M16) J-bolts.

Place the washer-extractor in position above the bolts, and gradually tighten the nuts one after another 195 Nm (144 ft lb).

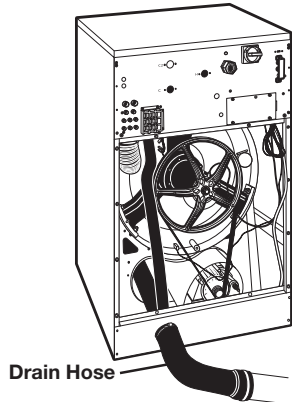
Check the condition of the J-bolts one week after installation.



INSTALLATION INSTRUCTION

Connect the Drain Hose

1. The drain hose can be found shipped inside the drum with the installation kit. The clamp for this hose is in the installation kit. Attach the drain to the drain connection located near the bottom of the rear of the washer. This is a gravity-fed system, so you must install the drain hose with the outlet lower than the drain connection to ensure proper drainage. Do not kink the hose.



2. The drain hose should end over, or in a floor drain or drainage canal.
3. The drainage canal or drain pipe must be sized properly to handle the total output of all washers connected to the system. Each time a washer is added to the drain pipe, the size of the pipe must increase to accommodate the additional volume. The drain pipe at the first washer must be 3" (76 mm) diameter. The pipe must increase to 4" (102 mm) diameter before the second washer and 5" (127 mm) diameter before the third washer.
4. For connecting the optional drain pump kit (Ordered separately) refer to the instructions supplied with that kit.

Drain Connections

Use the provided drain hose to connect the washer's drain pipe to the facility drain or drain channel. Secure with the provided clamp. The capacity of discharged water for each washer model is 55.5 gal/min (210 L/min).

Water Hardness

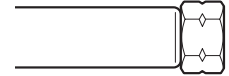
Determine the water hardness level in water supply. Good wash results are dependent on water hardness. In areas that have medium and very hard water levels, a water softener may be required.

Contact your water or soap distributor for determining the proper soap and detergents to be used with your hardness levels for the best wash results.

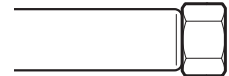
Water Supply Connections

Washers have 2 water inlets. For connection dimensions, see "Dimensions and Technical Specifications."

1. Always use the flexible hoses delivered with the washer. Do not use a fixed connection to the water supply.
2. Keep proper water pressure within range. See "Dimensions and Technical Specifications."
3. The water connection to the washer requires a 3/4" British Standard Pipe Thread fitting. The grooved end is a U.S. thread. Threading an GHT fitting or the GHT end of the adapter hose will damage the threads of the washer.
4. Flush water lines to remove debris. Install the grooved side of the adapter hoses to the hot and cold side of the incoming water valves. Tighten fittings.
5. Attach non-grooved end of the adapter hoses to the washer. Tighten fittings.
6. Turn on water and check for leaks in the system.



3/4" Garden Hose (GHT) fitting



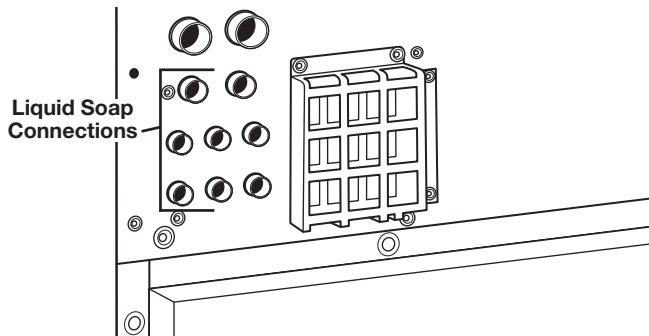
3/4" British Standard Pipe Thread (BSPP) fitting

INSTALLATION INSTRUCTION

External Supply Connections

All external liquid soap hose connections must be tight. Double check that the clamps are tight after connections are made. Any leakage from these connections can cause bodily harm and damage to the washer. Make sure any unused open connections are sealed with an appropriate cover.

The connections for the liquid soap are on the rear of the washer and must be drilled open in order to use them. Only drill out the connections that will be used. There are eight (8) 3/8" (9 mm) diameter connections; use a 5/16" (8 mm) diameter drill bit to drill out these holes. There can only be eight (8) pumps in the system. Be sure to clean out all the drill shavings completely so they do not clog the inlets and hoses. Connect to liquid soap pumps to the left openings first. Set the flow rate of the pumps between 16 and 26 gal/hr (60 and 100 l/hr).



IMPORTANT: The incoming water dilutes the liquid soap and brings it into the tub assembly.

Check with your liquid soap provider to ensure that your soap is inert to Polypropylene (PP) and Polyvinyl Chloride (PVC) materials.

Make sure the hoses and wiring for the liquid soap pumps are not damaged, pinched, rubbed or damage to the machine could occur.

The liquid soap pumps used must be capable of providing the requested quantity in less than 30 seconds.

ELECTRICAL CONNECTION

⚠ WARNING



Fire Hazard

Use appropriate gauge of solid copper wire. (See chart in “Electrical Requirements” section).

Use a UL listed strain relief.

Disconnect power before making electrical connections.

Connect neutral wire (white) to terminal (N).

Ground wire (green or bare wire) must be connected to ground connector (PE).

Connect remaining 3 supply wires to remaining 3 terminals (L1, L2 and L3).

Securely tighten all electrical connections.

Failure to do so can result in death, fire, or electrical shock.

⚠ WARNING



Electrical Shock Hazard

Disconnect power before servicing.

Replace all parts and panels before operating.

Failure to do so can result in death or electrical shock.

Connection to Washer:

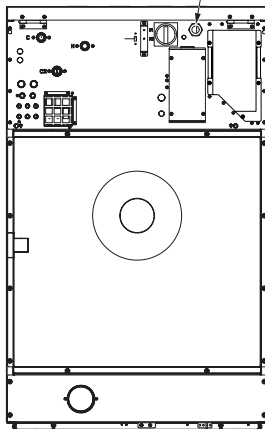
The washer must be electrically grounded in accordance with all local codes or, in the absence of local codes, with the National Electrical Code, ANSI/NFPA 70, latest edition, or Canadian Electrical Code, CSA C22.1.

Direct Wire Installation:

Power supply cable must match power supply (3-wire or 4-wire) and be:

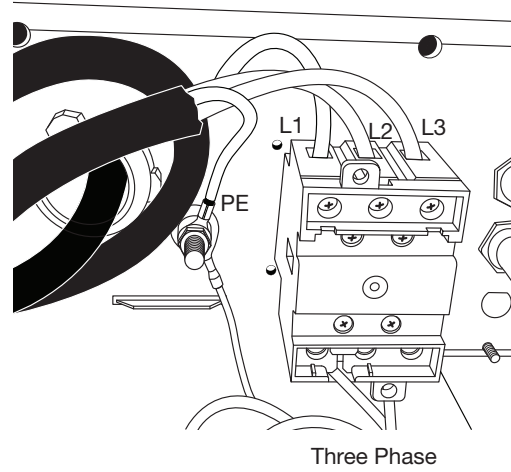
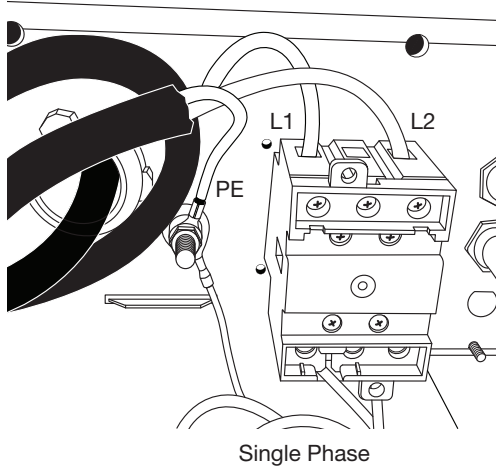
- To access the disconnect, lift the top cover and support it with the prop rod.
- Copper wire of appropriate gauge for amperage requirement (see “Manufacturer,s Recommended Minimal Conductor section”). Solid wire is recommended. Do not use aluminum wire.
- Flexible armored cable or flexible conduit must be used for the supply connections. Use the hole in the rear of the washer for routing. Connection is made directly to the disconnect switch inside the back top panel of the washer. The Aluminum Lug for Ground is next to that disconnect body. A Flat-head screwdriver can be used for the power wires to the disconnect as well as the ground to the lug. Incoming service wires are applied to the top of the disconnect body. If the washer is single phase, (only 2 power wires) the outside positions of the disconnect should be used (leaving the center pole empty). Tighten down all connections including the unused position in the single-phase service case. Leaving a small radius of slack for the wires inside the washer, check that the cable is well held in place.

Knock out for Electrical Connection



ELECTRICAL CONNECTION

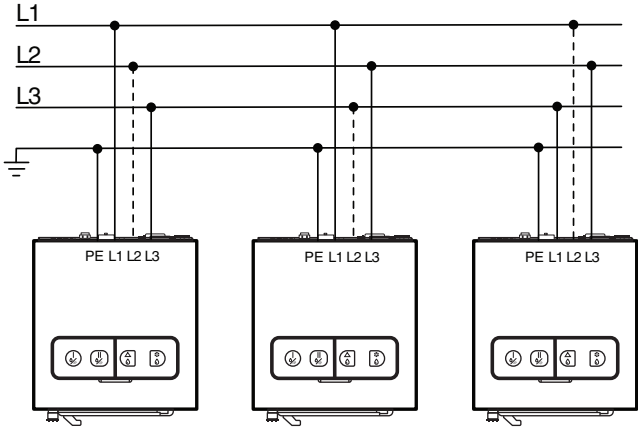
- Check the rating plate on the washer. Make sure that the supply phase and voltage match the rating of the washer. Some locations require an autonomous power switch (I) at the current input, with a minimum of 3 mm (0.12 inch) between contacts. Fit a 300mA, type A, immediate response differential protection. Check your local regulations. Insert the flexible armored cable or flexible conduit through the hole in the rear panel. Secure the armored cable or conduit to the rear panel. Connect the wiring per the correct illustration.



ELECTRICAL CONNECTION

Multiple Single-Phase Machines in Line

When installing multiple single-phase washers into an existing 3-phase power supply, alternating the phases used as the hot leg is recommended to evenly distribute power on the system. See illustration.



INSTRUCTIONS FOR GROUNDING

This appliance must be connected to an equipment grounding conductor that must run with the circuit conductors and connected to the aluminum ground lug inside the rear electric panel.

Connect the terminal strip and check that the connections correspond to the operating voltage. Fit a 300mA, type A, immediate response differential protection.

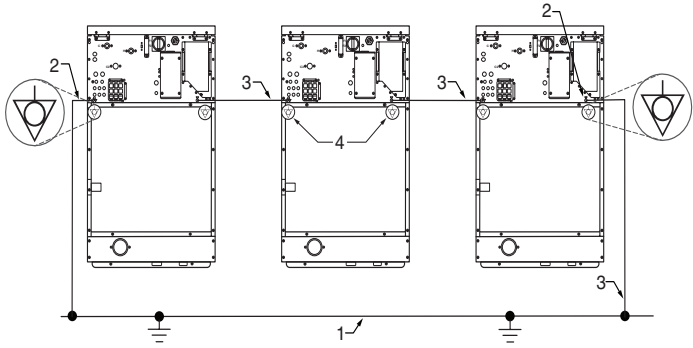
The machine must be grounded. See the illustration on the previous page.

Equipotential Bonding:

In addition to the equipment-grounding conductor discussed earlier that runs with the circuit conductor's and is connected to the equipment grounding terminal, all washers or appliances in the vicinity must be permanently interconnected with an equipotential bonding conductor.

The external connection points marked on the back of the washer serve for this purpose. See illustration below.

The cross-sectional area of the conductor must be at least electrically equivalent to the cross-sectional area of the copper conductor used to power the washer.



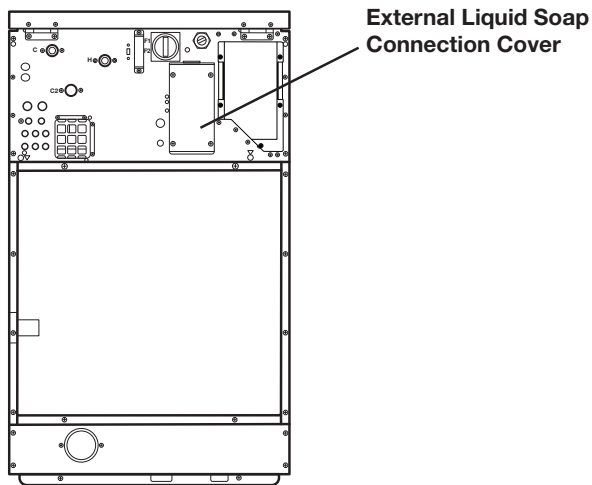
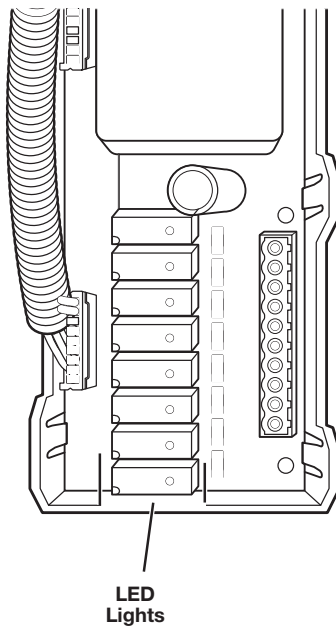
1. Protective grounding structure
2. External protective conductor connection point
3. Protective conductor
4. Grounding identification

ELECTRICAL CONNECTION

Electrical connection of the liquid soap supply system, if supplied (Optional on vended machines)

The power supplied to the liquid soap system must come from an external electric source. Do not connect the system in the washer. All work must be performed by a qualified technician in compliance with all applicable local codes. Refer to the wiring diagram found inside the washer attached to the side panel.

There is a labelled terminal block on the rear of the washer for control signal connections. There is a corresponding strip of LED lights to show when each signal is active. Refer to the wiring diagram found inside the washer attached to the side panel. Supply pump control signals are 24 VAC, maximum current is 10 mA. Route all wires through the supplied plastic bushing, making sure to secure them with the cable clamp. Affix the cover to the terminal block access before applying electric power to the washer. See the Programming Guide for details on programming the liquid soap system.



WASHER MAINTENANCE

Maintenance Schedule

After Each Load

- Remove debris from the wash drum including paper clips, coins, and other hard items.
- When not in use, leave the washer door open to allow the washer to air out and prolong gasket life.

Daily Maintenance

- Clean water, detergent, and other stains off of the washer with a soft cloth dampened with a mild detergent solution.
- Dry with a soft cloth. Do not use abrasives.
- Clean detergent residue and other contamination off the door seal with a soft cloth dampened only with a mild detergent solution. Do not use solvents or acids. Do not lubricate seal with oil or grease.
- Remove residue from the detergent hoppers with a plastic scraper. Wipe the hoppers with a soft cloth dampened with water.
- Check water inlets for leaks. Correct as necessary.
- Check drain valve for leakage during a wash cycle (the valve is in open position when there is no electricity to it).

Maintenance Every 200 Working Hours or Every Month

Make sure external liquid soap supply system is not leaking. Check all hose joints, screw joints and all connections in the system.

Maintenance Every 500 Working Hours or 3 Months

WARNING



Electrical Shock Hazard

Disconnect power before servicing.

Replace all parts and panels before operating.

Failure to do so can result in death or electrical shock.

- Observe the washer from the back for one wash cycle. Be sure that water does not leak out of the drain during the wash part of the cycle and that it drains freely at the beginning of extraction. Clean the drain if either of these symptoms are observed.
1. Turn off power to washer at the circuit breaker or fuse box.
 2. Check the tightness of the bolts securing the rear panel of the washer.
 3. Check the belt for damage and proper tightness.

4. Check mounting bolt tightness. Retighten if necessary.
5. Inspect all hoses and connections inside the washer for leaks and correct as necessary.
6. Wipe off any stains with a soft cloth dampened with water or a mild detergent solution. Be sure that control components are not exposed to dust and moisture during cleaning.
7. Put covers back on and check that all bolts are properly torqued.
8. Turn on power at circuit breaker or fuse box.

Maintenance Every 1000 Working Hours or 6 Months

- Turn off hot and cold water to the washer at the valves. Clean water filters.
- Clean and remove dirt and dust from:
 - the inverter cooling fin
 - the motor cooling fins
 - the inverter internal fan
 - the external fan
 - the external air relieves
- Make sure the fan in the inverter cool fins is functioning.

MAYTAG COMMERCIAL LAUNDRY® LIMITED WARRANTY FOR VENDED PRODUCT MULTI-LOAD WASHERS MYR20, MYR25, MYR30, MYR40, MYR55, MYR65

IF YOU NEED SERVICE:

Contact your authorized Maytag Commercial Laundry® distributor. To locate your authorized Maytag Commercial Laundry® distributor, call 1-800-662-3587, or for web inquiries, visit www.MaytagCommercialLaundry.com.

For written correspondence:

Maytag Commercial Laundry® Service Department
2000 N M 63
Benton Harbor, Michigan 49022-2632 USA

TEN YEAR LIMITED WARRANTY

WHAT IS COVERED

**FIVE YEAR LIMITED WARRANTY
(PARTS ONLY – LABOR NOT INCLUDED)**

For the first five years from the original date of purchase, when this commercial appliance is installed, operated, and maintained according to the instructions attached to or furnished with the product, Maytag brand of Whirlpool Corporation (hereafter “Maytag”) will pay for factory specified replacement parts to correct defects in materials or workmanship that existed when this commercial appliance was purchased. This limited warranty does not include labor.

**SIXTH THROUGH TENTH YEAR LIMITED WARRANTY
(CERTAIN COMPONENT PARTS ONLY – LABOR NOT INCLUDED)**

In the sixth through tenth years from the date of original purchase, when this commercial appliance is installed, operated, and maintained according to instructions attached to or furnished with the product, Maytag will pay for factory specified replacement parts for the following components to correct non-cosmetic defects in materials or workmanship in the part that prevent function of the product and that existed when this commercial appliance was purchased. This is a limited 10-year warranty on the below named parts only and does not include labor.

- Outer shell
- Drum and shaft assembly
- Inner welded frame
- Bearings and seals

YOUR SOLE AND EXCLUSIVE REMEDY UNDER THIS LIMITED WARRANTY SHALL BE PART REPLACEMENT AS PROVIDED HEREIN. Maytag recommends that you use an “authorized” service provider to diagnose and repair your Commercial Laundry product. Maytag will not be responsible under this warranty to provide additional replacement parts as a result of incorrect diagnosis or repair by an “unauthorized” service company. Except in the European Union, this limited warranty is valid only when the commercial appliance is used in the country in which it was purchased. This limited warranty is effective from the date of the original consumer purchase. Proof of original purchase date is required to obtain service under this limited warranty.

WHAT IS NOT COVERED

1. All other costs including labor, transportation, shipping, or custom duties for covered parts.
2. Factory specified replacement parts if this commercial appliance is used for other than normal, commercial use or when it is used in a manner that is inconsistent to published user or operator instructions and/or installation instructions.
3. Service calls to correct the installation of your commercial appliance, to instruct you on how to use your commercial appliance, to replace or repair house fuses, or to correct external wiring or plumbing.
4. Service calls to repair or replace appliance light bulbs, air filters, or water filters. Consumable parts are excluded from warranty coverage.
5. Damage resulting from improper handling of product during delivery, theft, accident, alteration, misuse, abuse, fire, flood, acts of God, improper installation, installation not in accordance with local electrical or plumbing codes, or use of products not approved by Maytag.
6. Pick up and delivery. This commercial appliance is designed to be repaired on location.
7. Repairs to parts or systems resulting from unauthorized modifications made to the commercial appliance.
8. The removal and reinstallation of your commercial appliance if it is installed in an inaccessible location or is not installed in accordance with published installation instructions.
9. Damage resulting from exposure to chemicals.
10. Changes to the building, room, or location needed in order to make the commercial appliance operate correctly.
11. Factory specified replacement parts on commercial appliances with original model/serial numbers that have been removed, altered, or cannot be easily determined.
12. Discoloration, rust, or oxidation of stainless steel surfaces.
13. Factory specified replacement parts as a result of incorrect diagnosis or repair by an “unauthorized” service company.
14. Replacement parts during the sixth through tenth years from the date of original purchase where the commercial appliance is installed, operated and maintained in a setting other than a vended and/or multi-housing environment.
15. Replacement parts during the sixth through tenth years from the date of original purchase where the defective part is not preventing the functioning of the product.

The cost of repair or replacement under these excluded circumstances shall be borne by the customer.

DISCLAIMER OF IMPLIED WARRANTIES

IMPLIED WARRANTIES, INCLUDING ANY IMPLIED WARRANTY OF MERCHANTABILITY OR IMPLIED WARRANTY OF FITNESS FOR A PARTICULAR PURPOSE, ARE LIMITED TO TEN YEARS OR THE SHORTEST PERIOD ALLOWED BY LAW. Some locations do not allow limitations on the duration of implied warranties of merchantability or fitness, so this limitation may not apply to you. THE BENEFITS GIVEN TO YOU BY THIS WARRANTY ARE IN ADDITION TO OTHER RIGHTS AND REMEDIES AVAILABLE TO YOU UNDER LAW IN RELATION TO THE GOODS OR SERVICES TO WHICH THIS WARRANTY RELATES. PLEASE CONTACT MAYTAG FOR FURTHER INFORMATION ON WARRANTY TERMS.

DISCLAIMER OF REPRESENTATIONS OUTSIDE OF WARRANTY

Maytag makes no representations about the quality, durability, or need for service or repair of this commercial appliance other than the representations contained in this warranty. If you want a longer or more comprehensive warranty than the limited warranty that comes with this commercial appliance, you should ask your retailer about buying an extended service plan. The benefits to you given by this warranty are in addition to other rights and remedies available to you under law in relation to the goods or services to which this warranty relates. Please contact Maytag for further information on warranty terms.

LIMITATION OF REMEDIES; EXCLUSION OF INCIDENTAL AND CONSEQUENTIAL DAMAGES

YOUR SOLE AND EXCLUSIVE REMEDY UNDER THIS LIMITED WARRANTY SHALL BE PART REPLACEMENT AS PROVIDED HEREIN. MAYTAG SHALL NOT BE LIABLE FOR INCIDENTAL OR CONSEQUENTIAL DAMAGES. Some locations do not allow the exclusion or limitation of incidental or consequential damages, so these limitations and exclusions may not apply to you. THE BENEFITS GIVEN TO YOU BY THIS WARRANTY ARE IN ADDITION TO OTHER RIGHTS AND REMEDIES AVAILABLE TO YOU UNDER LAW IN RELATION TO THE GOODS OR SERVICES TO WHICH THIS WARRANTY RELATES. PLEASE CONTACT MAYTAG FOR FURTHER INFORMATION ON WARRANTY TERMS.

MAYTAG COMMERCIAL LAUNDRY® LIMITED WARRANTY FOR ON-PREMISE PRODUCT MULTI-LOAD WASHERS MYR20, MYR25, MYR30, MYR40, MYR55, MYR65

IF YOU NEED SERVICE:

Contact your authorized Maytag Commercial Laundry® distributor. To locate your authorized Maytag Commercial Laundry® distributor, call 1-800-662-3587, or for web inquiries, visit www.MaytagCommercialLaundry.com.

For written correspondence:

Maytag Commercial Laundry® Service Department
2000 N M 63
Benton Harbor, Michigan 49022-2632 USA

FIVE YEAR LIMITED WARRANTY

WHAT IS COVERED

THREE YEAR LIMITED WARRANTY (PARTS ONLY – LABOR NOT INCLUDED)

For the first Three years from the original date of purchase, when this commercial appliance is installed, operated, and maintained according to the instructions attached to or furnished with the product, Maytag brand of Whirlpool Corporation (hereafter "Maytag") will pay for factory specified replacement parts to correct defects in materials or workmanship that existed when this commercial appliance was purchased. This limited warranty does not include labor.

FORTH AND FIFTH YEAR LIMITED WARRANTY (CERTAIN COMPONENT PARTS ONLY – LABOR NOT INCLUDED)

In the Forth and Fifth years from the date of original purchase, when this commercial appliance is installed, operated, and maintained according to instructions attached to or furnished with the product, Maytag will pay for factory specified replacement parts for the following components to correct non-cosmetic defects in materials or workmanship in the part that prevent function of the product and that existed when this commercial appliance was purchased. This is a limited 5-year warranty on the below named parts only and does not include labor.

- Outer shell
- Drum and shaft assembly
- Inner welded frame
- Bearings and seals

YOUR SOLE AND EXCLUSIVE REMEDY UNDER THIS LIMITED WARRANTY SHALL BE PART REPLACEMENT AS PROVIDED HEREIN. Maytag recommends that you use an "authorized" service provider to diagnose and repair your Commercial Laundry product. Maytag will not be responsible under this warranty to provide additional replacement parts as a result of incorrect diagnosis or repair by an "unauthorized" service company. Except in the European Union, this limited warranty is valid only when the commercial appliance is used in the country in which it was purchased. This limited warranty is effective from the date of the original consumer purchase. Proof of original purchase date is required to obtain service under this limited warranty.

WHAT IS NOT COVERED

1. All other costs including labor, transportation, shipping, or custom duties for covered parts.
2. Factory specified replacement parts if this commercial appliance is used for other than normal, commercial use or when it is used in a manner that is inconsistent to published user or operator instructions and/or installation instructions.
3. Service calls to correct the installation of your commercial appliance, to instruct you on how to use your commercial appliance, to replace or repair house fuses, or to correct external wiring or plumbing.
4. Service calls to repair or replace appliance light bulbs, air filters, or water filters. Consumable parts are excluded from warranty coverage.
5. Damage resulting from improper handling of product during delivery, theft, accident, alteration, misuse, abuse, fire, flood, acts of God, improper installation, installation not in accordance with local electrical or plumbing codes, or use of products not approved by Maytag.
6. Pick up and delivery. This commercial appliance is designed to be repaired on location.
7. Repairs to parts or systems resulting from unauthorized modifications made to the commercial appliance.
8. The removal and reinstallation of your commercial appliance if it is installed in an inaccessible location or is not installed in accordance with published installation instructions.
9. Damage resulting from exposure to chemicals.
10. Changes to the building, room, or location needed in order to make the commercial appliance operate correctly.
11. Factory specified replacement parts on commercial appliances with original model/serial numbers that have been removed, altered, or cannot be easily determined.
12. Discoloration, rust, or oxidation of stainless steel surfaces.
13. Factory specified replacement parts as a result of incorrect diagnosis or repair by an "unauthorized" service company.
14. Replacement parts during the Forth and Fifth years from the date of original purchase where the commercial appliance is installed, operated and maintained in a setting other than a vended and/or multi-housing environment.
15. Replacement parts during the Forth and Fifth years from the date of original purchase where the defective part is not preventing the functioning of the product.

The cost of repair or replacement under these excluded circumstances shall be borne by the customer.

DISCLAIMER OF IMPLIED WARRANTIES

IMPLIED WARRANTIES, INCLUDING ANY IMPLIED WARRANTY OF MERCHANTABILITY OR IMPLIED WARRANTY OF FITNESS FOR A PARTICULAR PURPOSE, ARE LIMITED TO FIVE YEAR OR THE SHORTEST PERIOD ALLOWED BY LAW. Some locations do not allow limitations on the duration of implied warranties of merchantability or fitness, so this limitation may not apply to you. THE BENEFITS GIVEN TO YOU BY THIS WARRANTY ARE IN ADDITION TO OTHER RIGHTS AND REMEDIES AVAILABLE TO YOU UNDER LAW IN RELATION TO THE GOODS OR SERVICES TO WHICH THIS WARRANTY RELATES. PLEASE CONTACT MAYTAG FOR FURTHER INFORMATION ON WARRANTY TERMS.

DISCLAIMER OF REPRESENTATIONS OUTSIDE OF WARRANTY

Maytag makes no representations about the quality, durability, or need for service or repair of this commercial appliance other than the representations contained in this warranty. If you want a longer or more comprehensive warranty than the limited warranty that comes with this commercial appliance, you should ask your retailer about buying an extended service plan. The benefits to you given by this warranty are in addition to other rights and remedies available to you under law in relation to the goods or services to which this warranty relates. Please contact Maytag for further information on warranty terms.

LIMITATION OF REMEDIES; EXCLUSION OF INCIDENTAL AND CONSEQUENTIAL DAMAGES

YOUR SOLE AND EXCLUSIVE REMEDY UNDER THIS LIMITED WARRANTY SHALL BE PART REPLACEMENT AS PROVIDED HEREIN. MAYTAG SHALL NOT BE LIABLE FOR INCIDENTAL OR CONSEQUENTIAL DAMAGES. Some locations do not allow the exclusion or limitation of incidental or consequential damages, so these limitations and exclusions may not apply to you. THE BENEFITS GIVEN TO YOU BY THIS WARRANTY ARE IN ADDITION TO OTHER RIGHTS AND REMEDIES AVAILABLE TO YOU UNDER LAW IN RELATION TO THE GOODS OR SERVICES TO WHICH THIS WARRANTY RELATES. PLEASE CONTACT MAYTAG FOR FURTHER INFORMATION ON WARRANTY TERMS.

