



MAYTAG ENGINEERED

MAYTAG BUILT

MAYTAG® MULTI-LOAD

INTRODUCING THE MULTI-LOAD WASHER



FOR VENDED LAUNDRY



# DEPENDABLE BY DESIGN

The Maytag® Multi-Load Washer is built to provide the performance and durability your business needs.



## PERFORMANCE

Experience optimal wash performance with a consistent spin-out system for all your tough loads.



## EASE OF USE

Engineered to deliver an optimal user experience – our intuitively designed software allows owners and operators to navigate and manage system controls, and program cycle settings – with simplicity, efficiency, and confidence.



## DURABILITY

With a robust construction and commercial-grade components – the Maytag® Multi-Load Washer is designed to continually handle heavy loads of laundry.



## SERVICEABILITY

All of our washers are designed with maintenance in mind: almost all service procedures can be performed from the front and top of the machine, via quick access panels.



## BUILT FOR BUSINESS

The Maytag® Multi-Load Washer can be configured to meet your exact needs. Constructed in both soft- and rigid-mounts, and available through multiple financing options – it is the solution you need to power your laundry operations.



VENDED LAUNDRY



# TAILORED TO YOUR BOTTOM LINE

Maytag has the options owners need to take control of their business plan. With revenue-generating controls – our customized washers are designed to keep vended facilities going.

## SPLIT-LID DISPENSER

with an easy-to-flush design and four compartments: Pre-Wash and Main Wash (powder or liquid); and Bleach and Fabric Softener (liquid only)

## FLEXIBLE CONTROLS

with an intuitive screen flow that has been user-tested for navigation and comprehension

## CONSISTENT SPIN-OUT PERFORMANCE

with G-forces of 200 for rigid-mounts and 400 for soft-mounts to achieve max extraction and help prevent unbalanced loads

## DRIVE SYSTEM AND WASH UNIT

complete with a 304 stainless-steel drum and tub, commercial-grade bearings, a Variable Frequency Drive, and commercial-grade motor

## SECURE DOOR LOCK

with no moving parts, and an ergonomic, solid-steel door handle

## ROBUST CONSTRUCTION

to handle tough loads and extraction forces

## THOUGHTFULLY DESIGNED

for easy access and serviceability using minimal screws and key locks





## VENDED LAUNDRY

# CONTROLS FOR YOUR BUSINESS

Run your business efficiently with system configurations that focus on customer satisfaction and profitability.

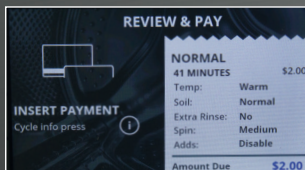
## REVENUE-GENERATING CONTROL AND PAYMENT OPTIONS

Design your business plan with flexibility:



### FULLY CUSTOMIZABLE PRICING

Flexible cycle options that provide you with the opportunity for more turns, and allow you to use default settings or create your own.



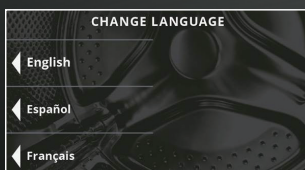
### FLEXIBLE PAYMENT PREFERENCES

Offer payment system options – to better serve customers, and manage your business more efficiently.



### FULL-COLOR LCD SCREEN

Users can easily view and track wash cycle progress to know what stage their laundry is in at all times.



### MULTILINGUAL LANGUAGE OPTIONS

Users are able to choose from multiple language options to ensure they can conveniently navigate each machine.



# CONNECTED FOR EFFICIENCY

Maytag Connect 360<sup>™</sup> Technology\* keeps you up to date with the performance of every machine – to help ensure your operation is running efficiently at all times.

## MAYTAG CONNECT 360<sup>™</sup> TECHNOLOGY

With a WiFi-enabled system, Maytag Connect 360<sup>™</sup> Technology\* gives owners the ability to manage their stores in real-time, even when away. Our intuitively designed software provides diagnostics, notifications, and revenue reports – to keep each machine working at full capacity.



## POWERFUL ONLINE TOOLS

Receive select diagnostics and alerts for preventative maintenance, and make program changes remotely – via WiFi – or on-site with our USB port.



## SERVICE NOTIFICATIONS

Receive alerts for select service and maintenance issues – to help identify where the problem exists, so technicians can come prepared to repair the washer in timely fashion.



## 24/7 ACCESS TO INSIGHTS

Owners have access to every machine's information – to better understand, prevent, and solve performance issues, and maximize investment return.



## OVER-THE-AIR UPDATES

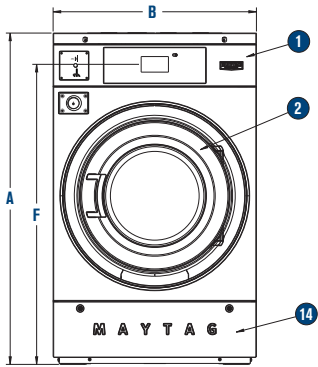
Software upgrades can be made automatically through the WiFi-enabled board or with USB port – keeping every machine constantly updated with the latest technology from Maytag.



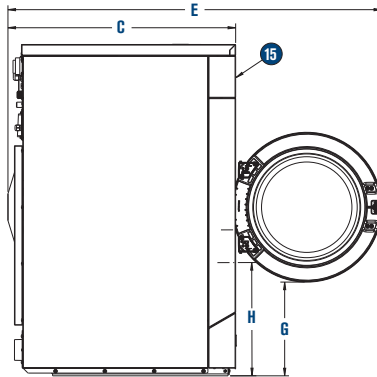


# VENDED LAUNDRY

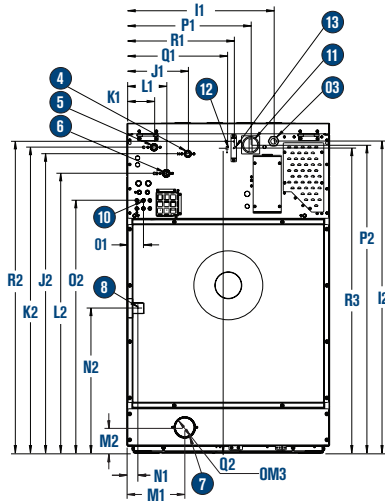
# RIGID-MOUNT SPECIFICATIONS



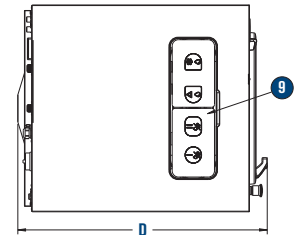
FRONT ELEVATION



SIDE ELEVATION



BACK ELEVATION



TOP ELEVATION

## DIAGRAM KEY

- 1 Control Console
- 2 Loading Door
- 3 Electric Connection
- 4 Hot Water
- 5 Cold Water
- 6 Third Water
- 7 Drain
- 8 Steam Connection
- 9 Soap Dispenser
- 10 Automatic Liquid Soap Manifold
- 11 Electric Disconnect
- 12 USB
- 13 Fuses
- 14 Toe Panel
- 15 Payment Mech. Location

		A	B	C	D	E	F	G	H	I1	I2	J1	J2	K1	K2	L1	L2	M1	M2	OM3	N1	N2	O1	O2	P1	P2	Q1	Q2	R1	R2	R3
20R	MM	1112	660	686	772	1159	994	356	425	451	1045	225	1000	101	1023	146	927	168	95	70	N/A	N/A	60	826	368	1032	280	1019	305	1054	1019
	INCH	43 3/4	26	27	30 3/8	45 3/8	39 3/8	14	16 3/4	17 3/4	41 1/8	8 7/8	39 3/8	4	40 1/4	5 3/4	36 1/2	6 3/8	3 3/4	2 3/4	N/A	N/A	2 3/8	32 1/2	14 1/2	40 3/8	11	40 1/8	12	41 1/2	40 1/8
25R	MM	1222	750	724	791	1264	1108	346	419	543	1156	225	1108	101	1133	146	1035	213	95	70	N/A	N/A	70	937	458	1140	371	1130	394	1155	1130
	INCH	48 1/8	29 1/2	28 1/2	31 1/8	49 3/4	43 3/8	13 3/8	16 1/2	21 3/8	45 1/2	8 7/8	43 3/8	4	44 3/8	5 3/4	40 3/4	8 3/8	3 3/4	2 3/4	N/A	N/A	2 3/4	36 3/8	18	44 7/8	14 3/8	44 1/2	15 1/2	45 1/2	44 1/2
30R	MM	1222	750	841	905	1378	1108	346	419	543	1156	225	1108	101	1133	146	1035	213	95	70	N/A	N/A	70	937	458	1140	371	1130	394	1155	1130
	INCH	48 1/8	29 1/2	33 1/8	35 3/8	54 1/4	43 3/8	13 3/8	16 1/2	21 3/8	45 1/2	8 7/8	43 3/8	4	44 3/8	5 3/4	40 3/4	8 3/8	3 3/4	2 3/4	N/A	N/A	2 3/4	36 3/8	18	44 7/8	14 3/8	44 1/2	15 1/2	45 1/2	44 1/2
40R	MM	1410	889	883	946	1470	1289	467	537	578	1343	289	1244	175	1321	175	1224	283	133	70	45	534	70	1095	492	1330	406	1317	429	1343	1318
	INCH	55 1/2	35	34 3/4	37 1/4	57 7/8	50 3/4	18 3/8	21 1/8	22 3/4	52 7/8	11 3/8	49	6 7/8	52	6 7/8	48 3/8	11 1/8	5 1/4	2 3/4	1 3/4	21	2 3/4	43 3/8	19 3/8	52 3/8	16	51 7/8	16 7/8	52 7/8	51 7/8
55R	MM	1410	889	1019	1083	1607	1289	467	537	578	1343	289	1244	175	1321	175	1224	283	133	70	45	534	70	1095	492	1330	406	1317	429	1343	1318
	INCH	55 1/2	35	40 1/8	42 3/8	63 3/8	50 3/4	18 3/8	21 1/8	22 3/4	52 7/8	11 3/8	49	6 7/8	52	6 7/8	48 3/8	11 1/8	5 1/4	2 3/4	1 3/4	21	2 3/4	43 3/8	19 3/8	52 3/8	16	51 7/8	16 7/8	52 7/8	51 7/8
65R	MM	1410	889	1092	1156	1680	1289	467	537	578	1343	289	1244	175	1321	175	1224	283	133	70	45	534	70	1095	492	1330	406	1317	429	1343	1318
	INCH	55 1/2	35	43	45 1/2	66 1/8	50 3/4	18 3/8	21 1/8	22 3/4	52 7/8	11 3/8	49	6 7/8	52	6 7/8	48 3/8	11 1/8	5 1/4	2 3/4	1 3/4	21	2 3/4	43 3/8	19 3/8	52 3/8	16	51 7/8	16 7/8	52 7/8	51 7/8



**Five-Year Limited Warranty on Parts (Parts Only – Labor Not Included).** For the first five years from the original date of purchase, when this commercial appliance is installed, operated, and maintained according to the instructions attached to or furnished with the product, Maytag® Commercial Laundry brand of Whirlpool Corporation (hereafter “Maytag”) will pay for factory-specified replacement parts to correct defects in materials or workmanship that existed when this commercial appliance was purchased. This limited warranty does not include labor.

**Sixth- Through Tenth-Year Limited Warranty (Certain Component Parts Only).** In the Sixth through Tenth years from the date of original purchase, when this commercial appliance is installed, operated, and maintained according to instructions attached to or furnished with the product, Maytag will pay for factory-specified replacement parts for the following components to correct non-cosmetic defects in materials or workmanship in the parts that prevent function of the product and that existed when this commercial appliance was purchased. This is a limited 10-year warranty on the named parts only and does not include labor: outer shell, drum and shaft assembly, inner welded frame, and bearings and seals. Visit [maytagcommerciallaundry.com](http://maytagcommerciallaundry.com) for warranty details.



MODEL	MYR20PD	MYR25PD	MYR30PD	MYR40PD	MYR55PD	MYR65PD
<b>MOTOR</b>						
Size – HP	0.5	0.75	1.0	1.5	2.0	2.0
<b>CAPACITY</b>						
Cylinder Volume – cu. ft. (liters)	2.74 (78)	3.76 (108)	4.86 (138)	6.45 (183)	8.56 (242)	9.76 (276)
Cylinder Diameter – in. (mm)	20.9 (530)	24.4 (620)	24.4 (620)	29.5 (750)	29.5 (750)	29.5 (750)
Cylinder Depth – in. (mm)	13.9 (352)	13.9 (352)	17.9 (454)	16.2 (411)	21.6 (548)	24.4 (621)
Dry Load Capacity – lb. (kg)	20 (9)	25 (11)	30 (14)	40 (18)	55 (25)	65 (30)
<b>EXTRACT FORCE</b>						
Maximum Extract Force (G-force)	200	200	200	200	200	200
<b>CONNECTIVITY</b>						
USB Programmability	Yes	Yes	Yes	Yes	Yes	Yes
Maytag Connect 360™ Technology* Ready	Yes	Yes	Yes	Yes	Yes	Yes
<b>DIMENSIONS</b>						
Depth – in. (mm)	27 (686)	28.5 (724)	33.1 (841)	34.8 (883)	40.1 (1,019)	43 (1092)
Width – in. (mm)	26 (660)	29.5 (750)	29.5 (750)	35.0 (890)	35.0 (890)	35.0 (890)
Height – in. (mm)	43.8 (1,112)	48.1 (1,222)	48.1 (1,222)	55.5 (1,410)	55.5 (1,410)	55.5 (1,410)
Door Opening – in. (mm)	12.9 (328)	16.1 (410)	16.1 (410)	18.1 (459)	18.1 (459)	18.1 (459)
<b>CRATED DIMENSIONS</b>						
Width – in. (mm)	27.8 (705)	31.5 (800)	31.5 (800)	37.0 (940)	37.0 (940)	37.0 (940)
Depth – in. (mm)	33.1 (841)	34.6 (880)	39.0 (991)	40.5 (1,029)	46.0 (1,169)	48.9 (1,242)
Height – in. (mm)	50.0 (1,270)	54.4 (1,381)	54.4 (1,381)	61.4 (1,560)	61.4 (1,560)	61.4 (1,560)
<b>APPROXIMATE WEIGHT</b>						
Uncrated – lb. (kg)	334 (151)	447 (203)	489 (222)	688 (312)	731 (332)	764 (347)
Crated – lb. (kg)	365 (166)	480 (218)	523 (237)	724 (328)	769 (349)	802 (364)
<b>LOADING QUANTITY</b>						
Full Truck (53' / 48')	63 / 57	56 / 50	48 / 42	34 / 30	34 / 30	34 / 30
40' HC Container	45	30	30	24	24	21
20' Container	22	14	14	12	12	10
<b>ELECTRICAL CONNECTION OPTIONS (VOLTS / Hz / PHASE)</b>						
W = 120 / 60 / 1 (no electrical heating)	Yes	Yes	Yes	No	No	No
T = 208 – 240 / 50 – 60 / 1 (no electrical heating)	Yes	Yes	Yes	Yes	Yes	Yes
S = 220 – 240 / 50 – 60 / 1 (no electrical heating)	Yes	Yes	Yes	Yes	Yes	Yes
V = 208 – 240 / 50 – 60 / 3	Yes	Yes	Yes	Yes	Yes	Yes
N = 380 – 415 / 50 – 60 / 3	Yes	Yes	Yes	Yes	Yes	Yes
R = 440 – 480 / 50 – 60 / 3	Yes	Yes	Yes	Yes	Yes	Yes
<b>WATER HEATING OPTIONS</b>						
Hot/Cold Water Connections Only	Yes	Yes	Yes	Yes	Yes	Yes
Electrical Heating (size of heating elements, kW)	Yes (8)	Yes (8)	Yes (12)	Yes (16)	Yes (18)	Yes (18)
Electrical Heating, Optional Alternate Heating Element size- kW	12	12	8	N/A	N/A	N/A
Steam Kit Option	N/A	N/A	N/A	Yes	Yes	Yes
<b>WATER, CHEMICAL DISPENSING, DRAINS</b>						
Number of Water Inlets	2	2	2	2	2	2
Optional Third Water Inlet	Yes	Yes	Yes	Yes	Yes	Yes
Inlet Sizes – in. (mm)	½ (13)	½ (13)	½ (13)	½ (13)	½ (13)	¾ (19)
Operating Pressure – PSI (bar)	20-120 (1-8)	20-120 (1-8)	20-120 (1-8)	20-120 (1-8)	20-120 (1-8)	20-120 (1-8)
Number of Dispenser Compartments	4	4	4	4	4	4
External Chemical Connections, Number	10	10	10	10	10	10
Dump Valve Drain, Size in. (mm)	Yes, 3 (76)	Yes, 3 (76)	Yes, 3 (76)	Yes, 3 (76)	Yes, 3 (76)	Yes, 3 (76)
Second Dump Valve Drain Option	No	No	No	No	Yes	Yes
Drain Pump Option	Yes	Yes	Yes	Yes	No	No
<b>SOUND PRESSURE – dbA</b>						
	<70	<70	<70	<70	<70	<70

\*WiFi required. Features subject to change. Details and privacy info at [connect360.maytag.com](http://connect360.maytag.com).

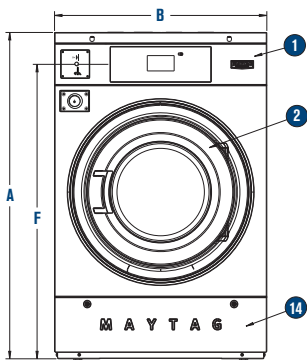
See specific instructions for proper installation.

Because of continuous product improvement, Maytag reserves the right to change specifications without notice.

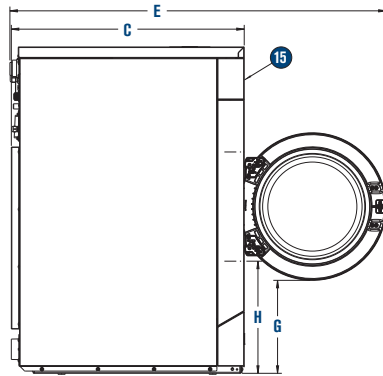


# VENDED LAUNDRY

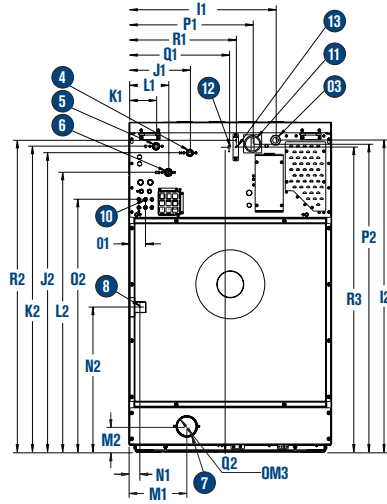
# SOFT-MOUNT SPECIFICATIONS



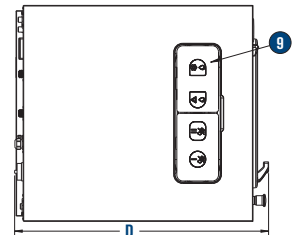
FRONT ELEVATION



SIDE ELEVATION



BACK ELEVATION



TOP ELEVATION

## DIAGRAM KEY

- 1 Control Console
- 2 Loading Door
- 3 Electric Connection
- 4 Hot Water
- 5 Cold Water
- 6 Third Water
- 7 Drain
- 8 Steam Connection
- 9 Soap Dispenser
- 10 Automatic Liquid Soap Manifold
- 11 Electric Disconnect
- 12 USB
- 13 Fuses
- 14 Toe Panel
- 15 Payment Mech. Location

		A	B	C	D	E	F	G	H	I1	I2	J1	J2	K1	K2	L1	L2	M1	M2	OM3	N1	N2	O1	O2	P1	P2	Q1	Q2	R1	R2	R3
20S	MM	1112	711	720	781	1170	993	353	423	502	1048	225	1003	101	1028	146	930	229	90	70	N/A	N/A	70	826	419	1035	330	1023	355	1048	1023
	INCH	43 3/4	28	28 3/8	30 3/4	46	39 1/8	13 7/8	16 5/8	19 3/4	41 1/4	8 1/8	39 1/2	4	40 1/2	5 3/4	36 5/8	9	3 1/2	2 3/4	N/A	N/A	2 3/4	32 1/2	16 1/2	40 3/4	13	40 1/4	14	41 1/4	40 1/4
30S	MM	1222	794	872	935	1409	1103	348	420	588	1159	225	1112	101	1137	146	1041	229	90	70	N/A	N/A	70	936	502	1146	416	1133	441	1159	1133
	INCH	48 1/8	31 1/4	34 3/8	36 3/4	55 1/2	43 3/8	13 3/4	16 1/2	23 1/8	45 5/8	8 7/8	43 3/4	4	44 3/4	5 3/4	41	9	3 1/2	2 3/4	N/A	N/A	2 3/4	36 1/8	19 3/4	45 1/8	16 3/8	44 3/8	17 3/8	45 5/8	44 3/8
40S	MM	1410	970	901	954	1477	1290	475	546	657	1347	300	1228	175	1324	175	1228	270	111	70	63	698	70	1094	572	1334	486	1321	511	1347	1321
	INCH	55 1/2	38 1/4	35 1/2	37 1/2	58 1/8	50 3/4	18 3/4	21 1/2	25 7/8	53	11 3/4	48 3/8	6 7/8	52 1/8	6 7/8	48 3/8	10 5/8	4 3/8	2 3/4	2 1/2	27 1/2	2 3/4	43 3/8	22 1/2	52 1/2	19 1/8	52	20 1/8	53	52
55S	MM	1410	970	1036	1100	1624	1290	475	546	657	1347	300	1228	175	1324	175	1228	270	111	70	63	698	70	1094	572	1334	486	1321	511	1347	1321
	INCH	55 1/2	38 1/4	40 3/4	43 3/4	64	50 3/4	18 3/4	21 1/2	25 7/8	53	11 3/4	48 3/8	6 7/8	52 1/8	6 7/8	48 3/8	10 5/8	4 3/8	2 3/4	2 1/2	27 1/2	2 3/4	43 3/8	22 1/2	52 1/2	19 1/8	52	20 1/8	53	52
65S	MM	1410	970	1110	1173	1697	1290	475	546	657	1347	300	1228	175	1324	175	1228	270	111	70	63	698	70	1094	572	1334	486	1321	511	1347	1321
	INCH	55 1/2	38 1/4	43 3/4	46 1/8	66 3/4	50 3/4	18 3/4	21 1/2	25 7/8	53	11 3/4	48 3/8	6 7/8	52 1/8	6 7/8	48 3/8	10 5/8	4 3/8	2 3/4	2 1/2	27 1/2	2 3/4	43 3/8	22 1/2	52 1/2	19 1/8	52	20 1/8	53	52



**Five-Year Limited Warranty on Parts (Parts Only – Labor Not Included).** For the first five years from the original date of purchase, when this commercial appliance is installed, operated, and maintained according to the instructions attached to or furnished with the product, Maytag® Commercial Laundry brand of Whirlpool Corporation (hereafter “Maytag”) will pay for factory-specified replacement parts to correct defects in materials or workmanship that existed when this commercial appliance was purchased. This limited warranty does not include labor.

**Sixth- Through Tenth-Year Limited Warranty (Certain Component Parts Only).** In the Sixth through Tenth years from the date of original purchase, when this commercial appliance is installed, operated, and maintained according to instructions attached to or furnished with the product, Maytag will pay for factory-specified replacement parts for the following components to correct non-cosmetic defects in materials or workmanship in the parts that prevent function of the product and that existed when this commercial appliance was purchased. This is a limited 10-year warranty on the named parts only and does not include labor: outer shell, drum and shaft assembly, inner welded frame, and bearings and seals. Visit [maytagcommerciallaundry.com](http://maytagcommerciallaundry.com) for warranty details.



MODEL	MYS20PD	MYS30PD	MYS40PD	MYS55PD	MYS65PD
<b>MOTOR</b>					
Size – HP	1.0	2.0	3.0	4.0	4.0
<b>CAPACITY</b>					
Cylinder Volume – cu. ft. (liters)	2.74 (78)	4.86 (138)	6.45 (183)	8.56 (242)	9.76 (276)
Cylinder Diameter – in. (mm)	20.9 (530)	24.4 (620)	29.5 (750)	29.5 (750)	29.5 (750)
Cylinder Depth – in. (mm)	13.9 (352)	17.9 (454)	16.2 (411)	21.6 (548)	24.4 (621)
Dry Load Capacity – lb. (kg)	20 (9)	30 (14)	40 (18)	55 (25)	65 (30)
<b>EXTRACT FORCE</b>					
Maximum Extract Force (G-force)	400	400	400	400	350
<b>CONNECTIVITY</b>					
USB Programmability	Yes	Yes	Yes	Yes	Yes
Maytag Connect 360™ Technology* Ready	Yes	Yes	Yes	Yes	Yes
<b>DIMENSIONS</b>					
Depth – in. (mm)	28.4 (720)	34.3 (872)	35.5 (901)	40.8 (1,036)	43.7 (1,110)
Width – in. (mm)	28.0 (711)	31.3 (794)	38.2 (970)	38.2 (970)	38.2 (970)
Height – in. (mm)	43.8 (1,112)	48.1 (1,222)	55.5 (1,410)	55.5 (1,410)	55.5 (1,410)
Door opening – in. (mm)	12.9 (328)	16.1 (410)	18.1 (459)	18.1 (459)	18.1 (459)
<b>CRATED DIMENSIONS</b>					
Width – in. (mm)	29.8 (756)	33.1 (841)	39.5 (1,003)	39.5 (1,003)	39.5 (1,003)
Depth – in. (mm)	33.6 (854)	39.8 (1,010)	41.0 (1,042)	46.4 (1,178)	49.3 (1,251)
Height – in. (mm)	50.0 (1,270)	54.4 (1,381)	61.4 (1,560)	61.4 (1,560)	61.4 (1,560)
<b>APPROXIMATE WEIGHT</b>					
Uncrated – lb. (kg)	415 (188)	582 (264)	851 (386)	894 (406)	944 (428)
Crated – lb. (kg)	446 (202)	616 (279)	889 (403)	933 (423)	984 (446)
<b>LOADING QUANTITY</b>					
Full Truck (53' / 48')	60 / 54	38 / 34	32 / 28	32 / 28	32 / 28
40' HC Container	42	28	24	22	21
20' Container	18	14	10	10	9
<b>ELECTRICAL CONNECTION OPTIONS (VOLTS / Hz / PHASE)</b>					
W = 120 / 60 / 1 (no electrical heating)	Yes	Yes	No	No	No
T = 208 – 240 / 50 – 60 / 1 (no electrical heating)	Yes	Yes	Yes	Yes	Yes
S = 220 – 240 / 50 – 60 / 1 (no electrical heating)	Yes	Yes	Yes	Yes	Yes
V = 208 – 240 / 50 – 60 / 3	Yes	Yes	Yes	Yes	Yes
N = 380 – 415 / 50 – 60 / 3	Yes	Yes	Yes	Yes	Yes
R = 440 – 480 / 50 – 60 / 3	Yes	Yes	Yes	Yes	Yes
<b>WATER HEATING OPTIONS</b>					
Hot/Cold Water Connections Only	Yes	Yes	Yes	Yes	Yes
Electrical Heating (size of heating elements, kW)	Yes (8)	Yes (12)	Yes (16)	Yes (18)	Yes (18)
Electrical Heating, Optional Alternate Heating Element Size- kW	12	8	N/A	N/A	N/A
Steam Kit Option	N/A	N/A	Yes	Yes	Yes
<b>WATER, CHEMICAL DISPENSING, DRAINS</b>					
Number of Water Inlets	2	2	2	2	2
Optional Third Water Inlet	Yes	Yes	Yes	Yes	Yes
Inlet Sizes – in. (mm)	½ (13)	½ (13)	½ (13)	½ (13)	¾ (19)
Operating Pressure – PSI (bar)	20-120 (1-8)	20-120 (1-8)	20-120 (1-8)	20-120 (1-8)	20-120 (1-8)
Number of Dispenser Compartments	4	4	4	4	4
External Chemical Connections, Number	10	10	10	10	10
Dump Valve Drain, Size in. (mm)	Yes, 3 (76)	Yes, 3 (76)	Yes, 3 (76)	Yes, 3 (76)	Yes, 3 (76)
Second Dump Valve Drain Option	No	No	No	Yes	Yes
Drain Pump Option	Yes	Yes	Yes	No	No
<b>SOUND PRESSURE – dbA</b>					
	<70	<70	<70	<70	<70

\*WiFi required. Features subject to change. Details and privacy info at [connect360.maytag.com](http://connect360.maytag.com).

See specific instructions for proper installation.

Because of continuous product improvement, Maytag reserves the right to change specifications without notice.











[MAYTAGCOMMERCIALLAUNDRY.COM](http://MAYTAGCOMMERCIALLAUNDRY.COM)